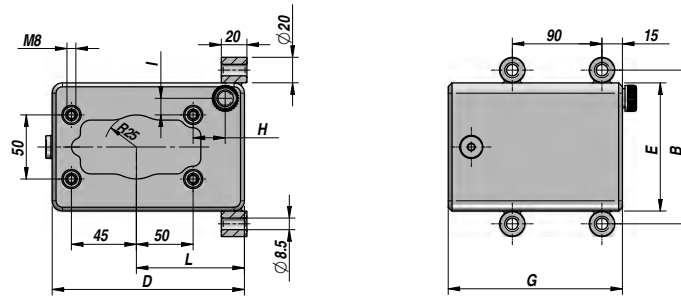
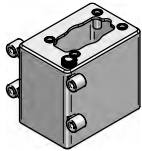


PM

SERBATOIO PER POMPA A MANO ( TIPO PAM-T e PAM-TD )  
TANK FOR HAND PUMP ( PAM-T / PAM-TD TYPE )

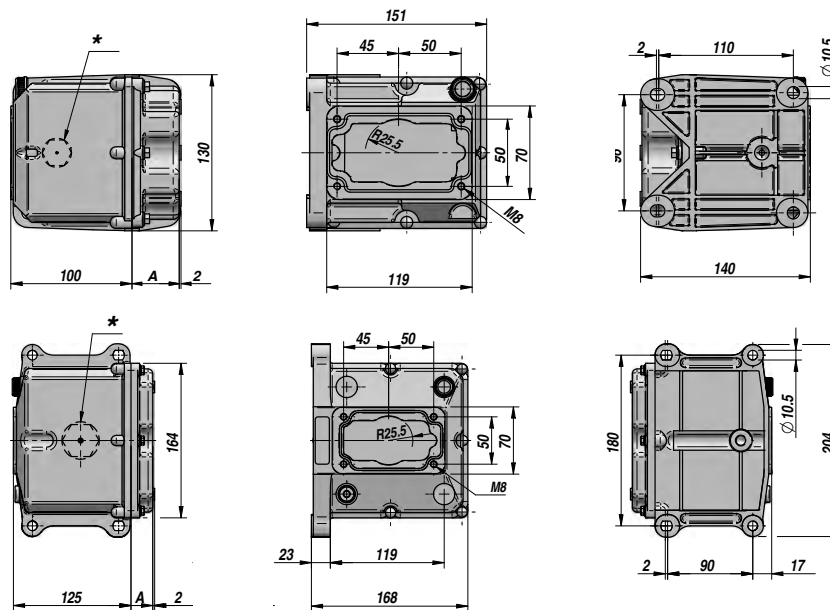
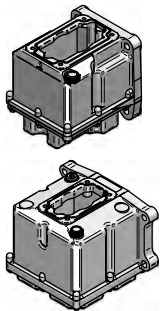


Codice Code	Capacità Capacity	B	D	E	G	H	I	L	Montaggio Mounting	kg
PM00220001	lt 1	120	150	100	120	24	12	90		2,00
PM00220002	lt 2	120	150	100	180	24	12	90		2,20
PM00220003	lt 3	120	150	100	247	24	12	90	N°4 fori Ø 8.5 mm N°4 holes Ø 8.5 mm	2,50
PM00220005	lt 5	195	175	175	200	42	45	110		4,50
PM00220007	lt 7	195	175	175	269	42	45	110		5,40
PM00220010	lt 10	195	175	175	376	42	45	110		6,80

MATERIALE : ACCIAIO  
MATERIAL : STEEL

PMSR

SERBATOIO PER POMPA A MANO ( TIPO PAM-T e PAM-TD )  
TANK FOR HAND PUMP ( PAM-T / PAM-TD TYPE )



PMSR01 (Lt.1)

PMSR02 (Lt.2)  
PMSR03 (Lt.3)  
PMSR05 (Lt.5)

Codice Code	Capacità Capacity	A	* Indicatore di livello * Level Indicator BSP	Montaggio Mounting	kg
PMSR01AL00	lt 1	40	-		1,50
PMSR01AL01	lt 1	40	1/2"		1,50
PMSR02AL00	lt 2	25	-		1,50
PMSR02AL01	lt 2	25	1/2"	N°4 fori Ø 10.5 mm N°4 holes Ø 10.5 mm	1,50
PMSR03AL00	lt 3	70	-		1,60
PMSR03AL01	lt 3	70	1/2"		1,60
PMSR05AL00	lt 5	180	-		1,80
PMSR05AL01	lt 5	180	1/2"		1,80

\* = A RICHIESTA - ON REQUEST

MATERIALE : ALLUMINIO + ABS  
MATERIAL : ALUMINIUM + ABS